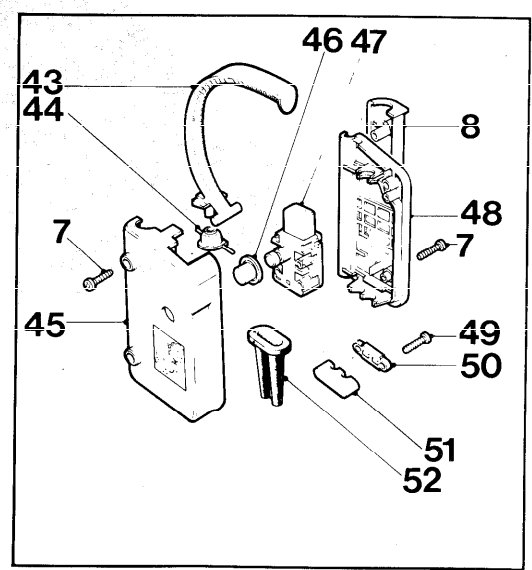
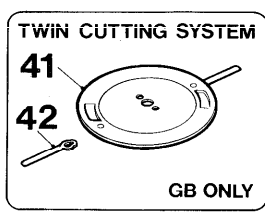
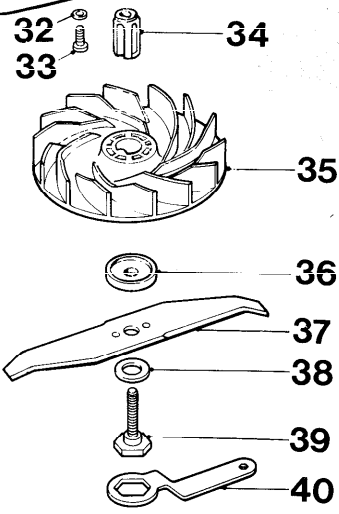
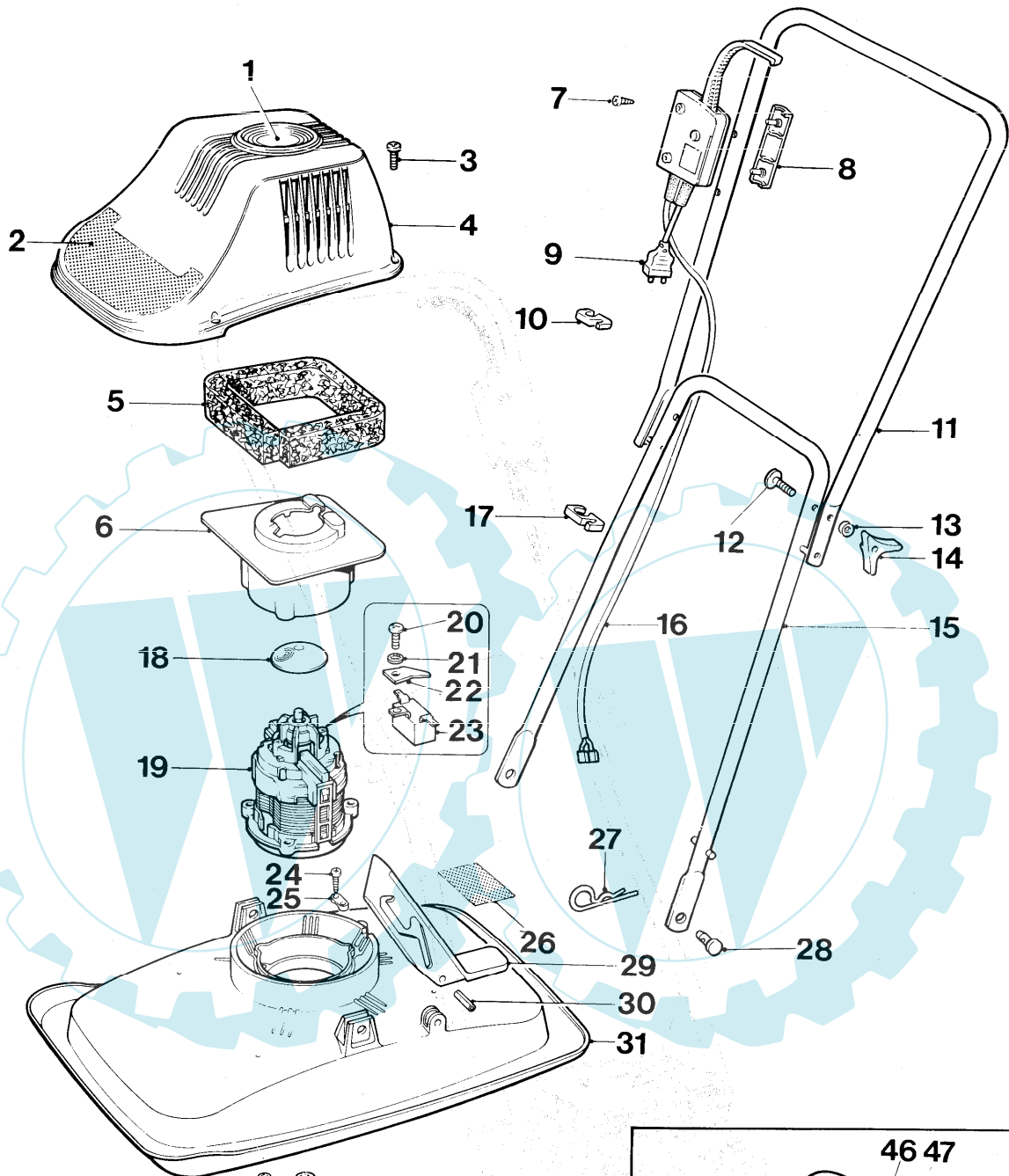


Flymo

**DLE5 9635156
9635157**





DLE5 9635156 9635157

KEY No.	PART No.	DESCRIPTION	QUANTITY	COMMENTS/ APPLICATION	KEY No.	PART No.	DESCRIPTION	QUANTITY	COMMENTS/ APPLICATION
1	5126140-01/0	LENS	1		35	5116375-01/4	IMPELLER	1	
2	5137556-00/6	LABEL FLYMO DLE-5	1		36	5136240-01/6	BLADE SPACER	3	
3	5146824-00/7	SCREW	4	ALT USE 5147665-00/4	37	5126439-00/8	BLADE 30CM	1	
4	5126375-08/7	COWL ASSY C/W LENS	1		38	5140516-00/5	ANTI FRICTION WASHER (PTFE)	1	
5	5146580-00/5	FILTER	1		39	5136242-01/2	BLADE BOLT	1	
6	5116524-03/3	FILTER SUPPORT	1		40	5130127-00/3	SPANNER	1	
7	5146672-00/0	SCREW GKN POLYMATE	4		41	5137557-00/4	DISC ASSY	1	
8	5116959-01/5	SWITCHBOX RETAINER	1		42	5148257-02/4	CUTTER PLASTIC LONG LIFE	2	
9	5148280-00/0	LEAD ASSY C/W PLUG	1	GB	43	5116963-00/9	SWITCH ACTUATING LEVER	1	
	5146475-10/7	LEAD TERMINAL .5M	1	SF	44	5130406-01/9	SEAL CONE	1	
	5147000-01/1	LEAD TERMINAL .5M	1	F.B.NL.DK.I.SF.A.N.S.	45	5106263-01/4	SWITCH BOX BODY	1	
	5147000-07/8	LEAD TERMINAL 0.26M	1	CH.	46	5148253-00/7	COVER LOCK OFF	1	
	5147001-43/1	LEAD TERMINAL 15.5M x .75mm	1	O/S.E.P.EI.	47	5137538-03/8	SWITCH ON/OFF LOCK/OFF	1	
10	5140482-00/8	CABLE CLIP SMALL	1		48	5106264-01/2	SWITCH BOX COVER	1	
11	5126242-03/0	HANDLE UPPER PLASTIC COATED	1		49	5146672-00/0	SCREW GKN POLYMATE	2	
12	5140607-00/2	BOLT HANDLE 1/4 UNCX45LG	2		50	5146616-00/7	CLAMP CABLE	1	
13	5140266-00/7	WASHER	2		51	5137509-00/5	CABLE CLAMP BASE	1	
14	5140690-00/8	KNOB WING	2		52	5141584-01/0	SLEEVE PROTECTION	1	
15	5126394-01/3	HANDLE LOWER	1						
16	5147001-42/3	LEAD INTERNAL	1	GB.O/S.E.P.EI.					
	5146989-07/3	LEAD INTERNAL	1	SF.					
	5147001-01/9	LEAD INTERNAL	1	A.F.B.NL.N.DK.I. ALT USE 5147001-24/1					
	5147001-45/6	LEAD INTERNAL	1	CH.					
17	5140863-01/9	CABLE CLIP LARGE	1						
18	5146469-00/1	WARNING DISC	1	ALT USE 5146469-01/9					
19	5126433-01/9	MOTOR 240 VOLT	1	GB					
	5126433-02/7	MOTOR 220 VOLT	1						
20	7241293-61/7	SCREW THREAD FORMING	1						
21	7352136-51/4	LOCKWASHER	1						
22	113721-00/5	CLIP	1						
23	113030-01/9	SUPPRESSOR 0.15 MF	1						
24	5146941-00/9	SCREW HI-LO 04.32x16LG PAN	2						
25	5140705-00/4	CABLE CLAMP	1						
26	5146467-00/5	LABEL WARNING ELECTRIC	1	GB.O/S.E.P.EI.					
	5136361-00/2	LABEL WARNING ELECTRIC	1	SF.					
	5136708-01/2	LABEL WARNING ELECTRIC	1	F.B.NL.CH.					
	5136712-01/4	LABEL WARNING ELECTRIC	1	I.DK.N.					
	5136507-00/0	LABEL WARNING ELECTRIC	1	D.CH.A.					
	5146516-00/9	LABEL WARNING ELECTRIC	1	E.P.EI.O/S.					
27	5140423-00/4	PIN RETAINING	2						
28	5140092-01/5	PIN LOCKING	2	ALT USE 5140092-00/7					
29	5116388-04/1	LEVER UP STOP	1						
30	5147029-01/0	ROLL PIN	1						
31	5106204-02/6	HOOD 30cm LESS UPSTOP	1						
	5147856-02/4	HOOD ASSY 30cm C/W UPSTOP	1						
32	5140266-00/7	WASHER	3						
33	5141585-00/9	SCREW 1/4"-20UNC x 19LG	3						
34	5136297-00/8	INSERT IMPELLER	1						

PRODUCT VARIANT

9635156-25 GB
9635157-71 SF

9635157-72 A.F.B.NL.
9635157-74 N.DK.I.

9635157-76 CH.
9635157-77 O/S.E.P.EI.